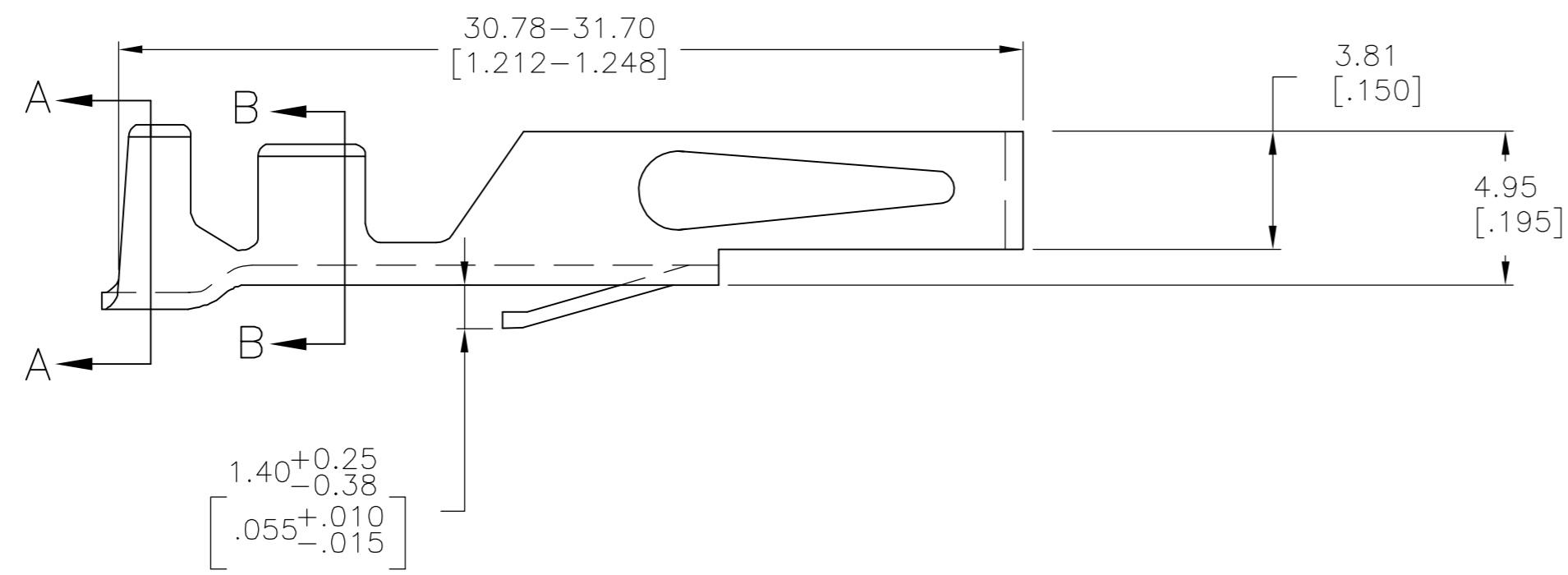
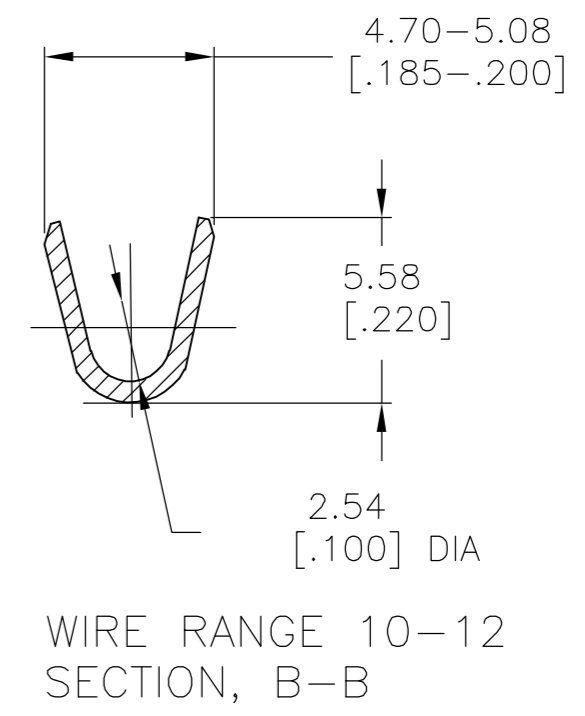
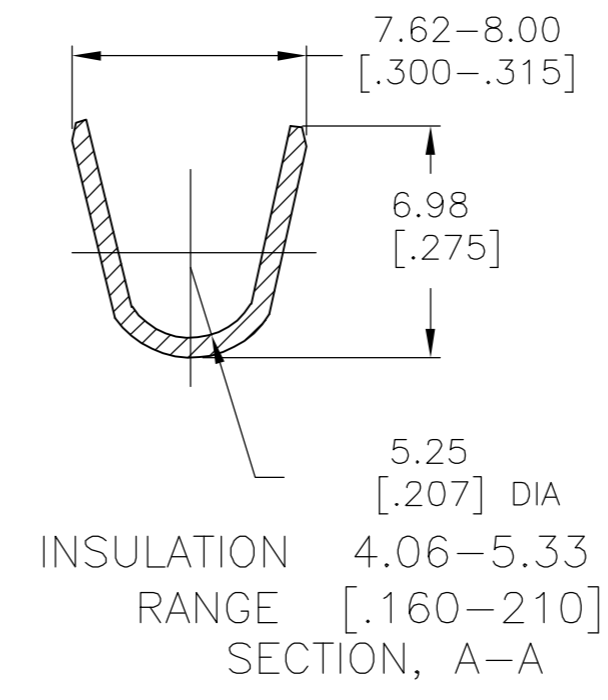
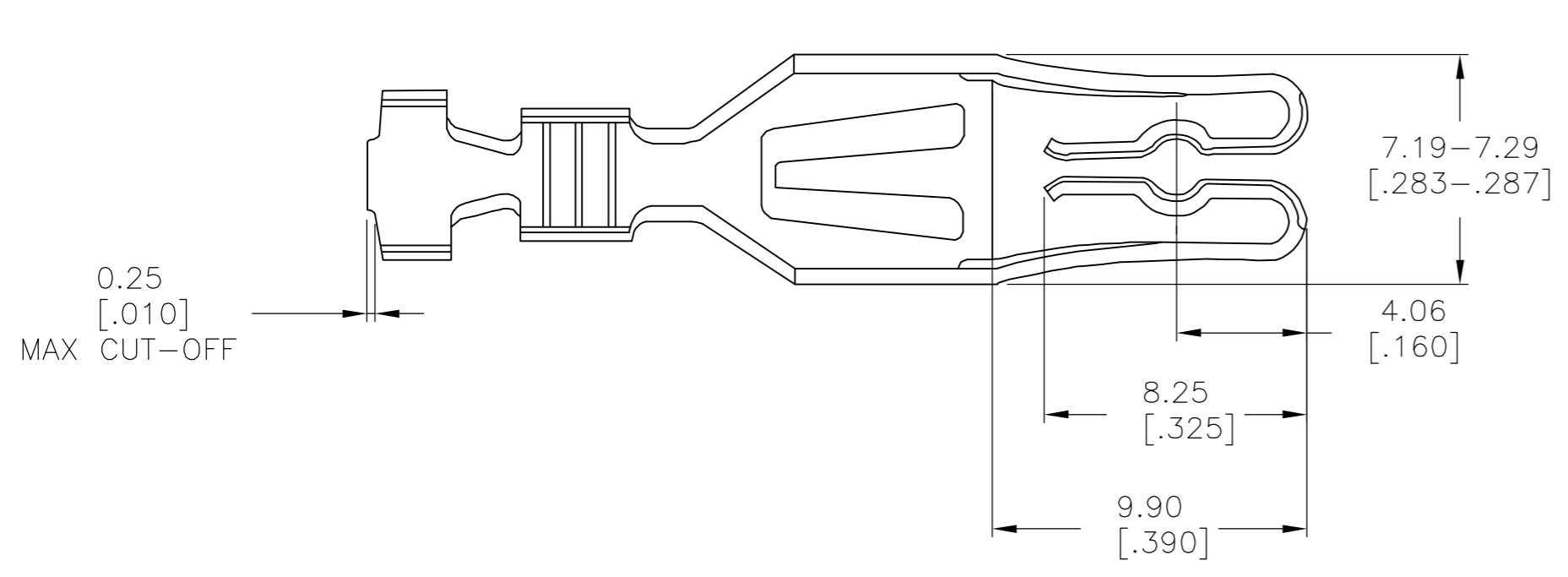


THIS DRAWING IS UNPUBLISHED. RELEASED FOR PUBLICATION  
 © COPYRIGHT BY TYCO ELECTRONICS CORPORATION. ALL RIGHTS RESERVED.

LOC		DIST		REVISIONS			
P	LTR	DESCRIPTION		DATE	DWN	APVD	
E		EC OG3C 0067 05		25NOV05	BSV	MM	



- 1 0.0038[.000150] BRIGHT TIN OVER 0.00076[.000030] NICKEL
- 2 0.0038[.000150] MATTE TIN OVER 0.00076[.000030] NICKEL

2	5-530520-1
1	530520-1
FINISH	PART NO

THIS DRAWING IS A CONTROLLED DOCUMENT.		DWN	15 MAY 75	<b>tyco</b> Electronics	Tyco Electronics Corporation Harrisburg, Pa 17105-3608		
DIMENSIONS: mm [INCHES]		CHK	15 MAY 75		NAME		
TOLERANCES UNLESS OTHERWISE SPECIFIED:		APVD	16 MAY 75		PRODUCT SPEC		
0 PLC ± -				APPLICATION SPEC			
1 PLC ± -				WEIGHT			
2 PLC ± -				SCALE			
3 PLC ± .005				CAGE CODE			
4 PLC ± -				DRAWING NO			
ANGLES ± -				RESTRICTED TO			
FINISH		1		SIZE			
ALLOY CDA-195		1 HARD		A2 00779 C=530520			
CUSTOMER DRAWING				SCALE 5:1 SHEET 1 OF 1 REV E			

530520